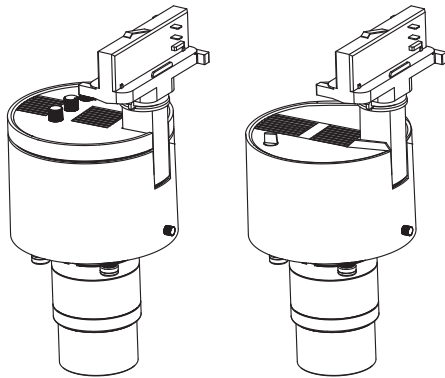




Mayalit

INSTALLATION INSTRUCTIONS

Ajaw
LEDTrackLight



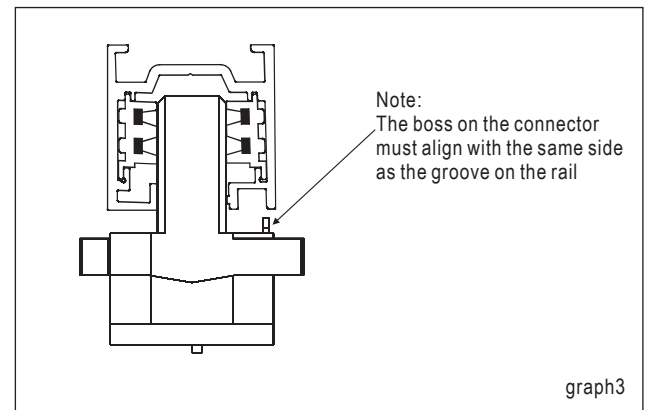
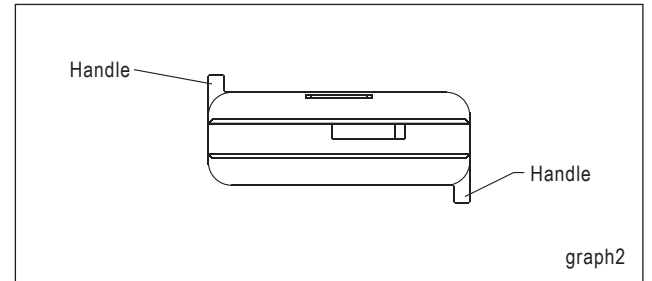
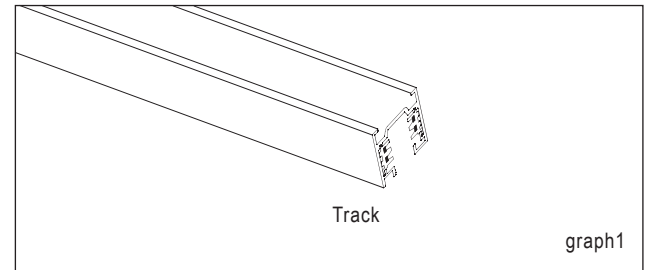
To customers:

- Thank you for choosing our products !
 - Please read this instruction carefully before using the product.
- This manual should be retained for the future reference.

<p>Please confirm the following important matters before starting each work, in order to ensure safe construction! If there is any problems with the product, please turn off the power supply and please consult our agent or ask qualified electrician.</p>			
<p>Warning: Wrong using may cause accidents.</p> <p>Caution: Incorrect using may cause damage.</p>			
Before Installation	Warning	Forbidden to use	<p>This product is widely used in indoor application only and it cannot be used under the following environmental conditions. (Risk of Drop, Risk of Electric Shock, Risk of Fire)</p> <ul style="list-style-type: none"> • Where ambient temperature is under -10°C or above 40°C • Where humidity > 80%PH • Where air conditioner or air outlet exist • Where ceilings that cannot bear the weight of fixture • Where inclined and uneven ceiling exist • Where fixture is exposed to direct sunlight • Where dust and corrosive gas exist • Where vibration and shock exist • Where building insulation may be present in normal use <p>Please contact Customers Service Team, once use environment cannot be confirmed to be applicable or not.</p>
During Installation	Warning	To be carried out	<ul style="list-style-type: none"> • The fixture should be installed by a electrician with relevant qualification certificate. (Risk of Safety Accident) • Do not exceed the a ccess voltage: 220-240V, frequency 50/60Hz. • The lighting circuit should be wired separately, compared with other power lines, such as air conditioners or high-power electric equipments. • Please make sure the power is switched off before installation or maintenance. And it's switched on only after correct wiring. (Risk of Electric Shock). • Don't disassemble or retrofit the fixture. (Risk of Electric Shock, Risk of Fire, Risk of Drop, Risk of Failure). • Don't touch the fixture when it is working or in a high temperature condition, when fixture just went out (Risk of Burning). • Maintain at least 100mm of clearance around the product. (Risk of fire) • Don't operate by wet hands(Risk of Electric Shock).
	Caution	To be carried out	<ul style="list-style-type: none"> • The actual power is between 90%~110% from the rated power. (The load current carrying capacity of the wire should be considered in construction wiring). • The force bearing point of installation in the ceiling board must be 4 times higher than the fixture weight. (Risk of Drop or Damage) • The fire regulations must be observed, when fixture is working. (Risk of Fire) • Non-user replaceable light source: Light source of the fixture can only be replaced by manufacturer or specialized persons. • Please cut off the power supply immediately, if smoke or odor occur, then contact the electrical contractor. (Risk of Fire) • For dimming models, use the manufacturer's dimmer or a reinforced-insulated dimmer that outputs an SELV control signal

Lamp Installation Instructions

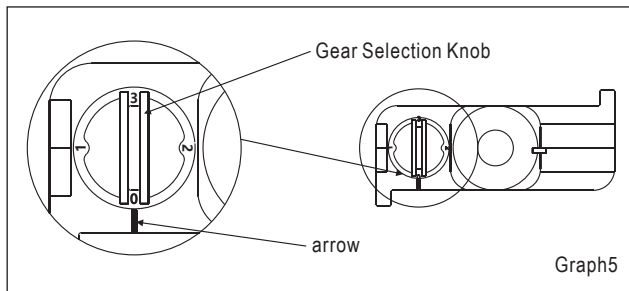
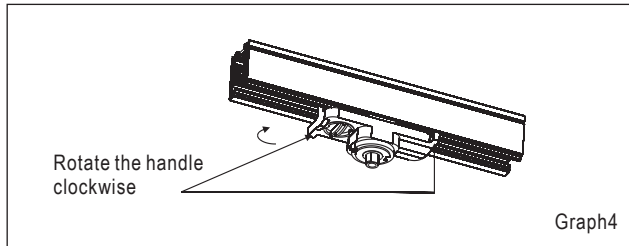
1. This product is compatible with Mayalit brand guides (Figur1) or other compatible guides, with the following specifications Input voltage: AC 220-240 V; Maximum load current: 16 A.
2. Establish the installation plan for this product, ensuring sufficient minimum space is available and that it does not interfere with structural elements such as roof beams or water pipes.
3. Before installation, adjust the handle to the position shown in Figure 2.
4. Align the protruding rib on the side of the connector with the corresponding groove on the guide rail, then insert the connector into the guide rail slot (Figure 3).



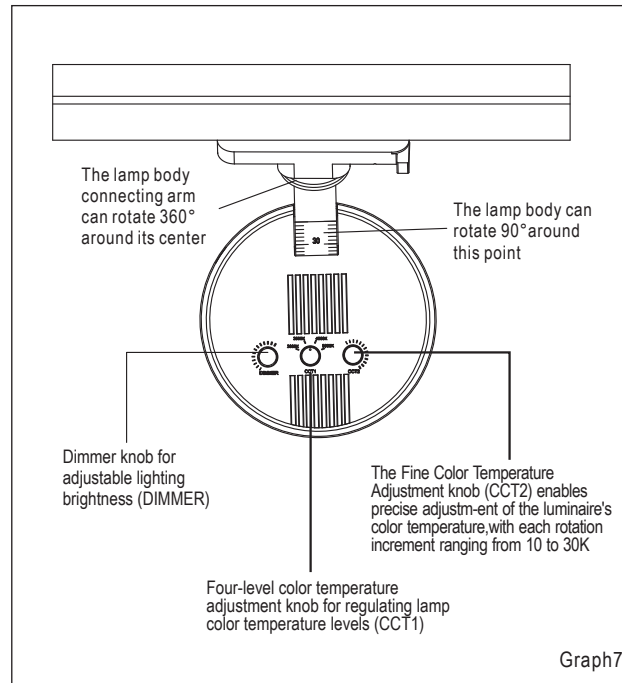
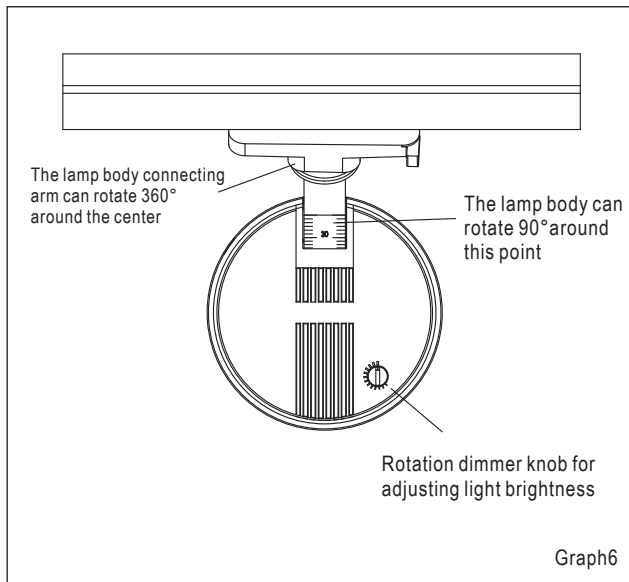
HUIZHOU CDN INDUSTRIAL DEVELOPMENT CO.,LTD.

No.A17,Xianghe West Rd., Dongjiang Ind.Zone,Shuikou, Huizhou, Guangdong, China
<http://www.mayalit-intl.com>

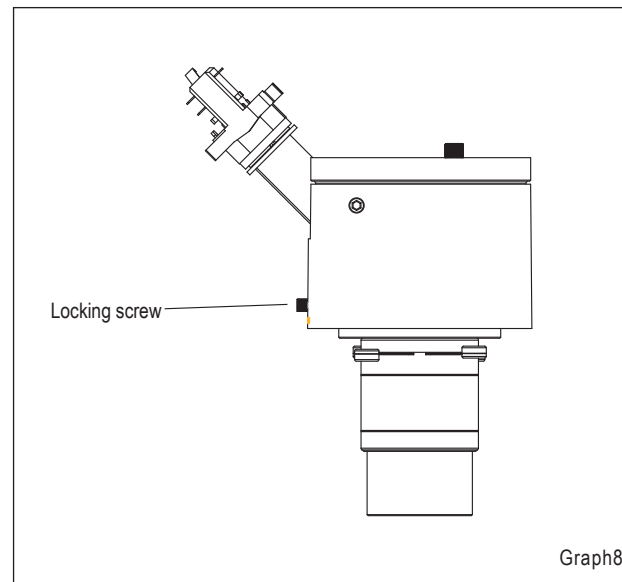
- Turn the handle clockwise to the locked position (Figure 4).
- Turn the gear adjustment knob until the indicator arrow points to the desired number and the corresponding gear is engaged (Figure 5).



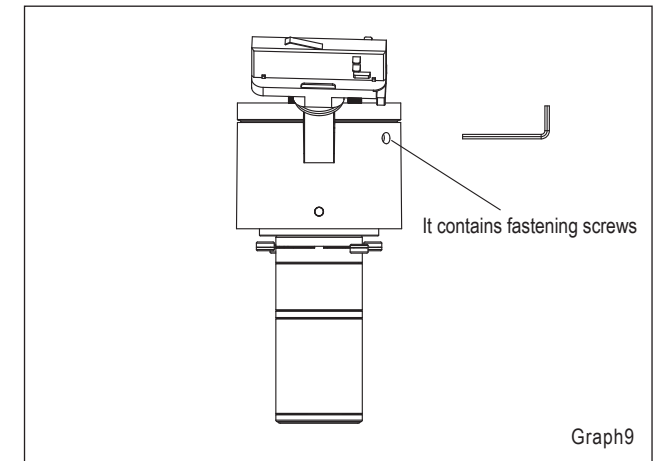
- Once installed, the lamp body can rotate horizontally 360° and vertically 90° (Figure 6 shows the monochromatic version; Figure 7 shows the dual-color temperature version).



- To install the pattern LOGO panel, first loosen the locking screw on the lamp body to remove the lens (Figure 8).



- Once the light cut-off adjustment is correct, use the hex key provided with the accessory to tighten the fastening screw (Figure 9).



- Schematic diagram of maximum load capacity (Figure 7).

