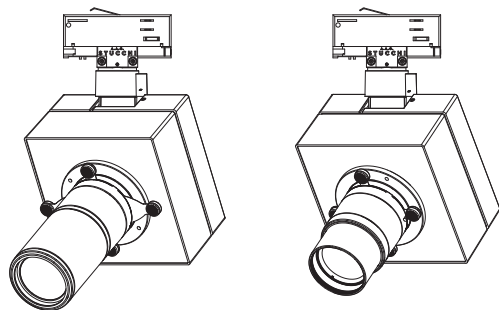


Mayalit

INSTALLATION INSTRUCTIONS

Ben Series LED Track Framing Light



To customers:

- Thank you for choosing our products !
- Please read this instruction carefully before using the product.
- This manual should be retained for the future reference.

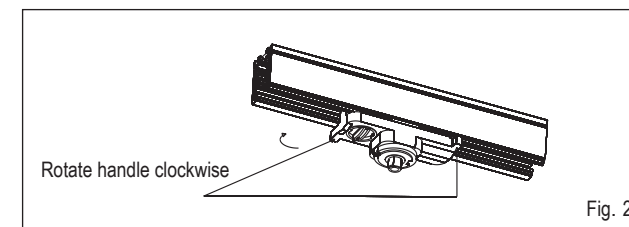
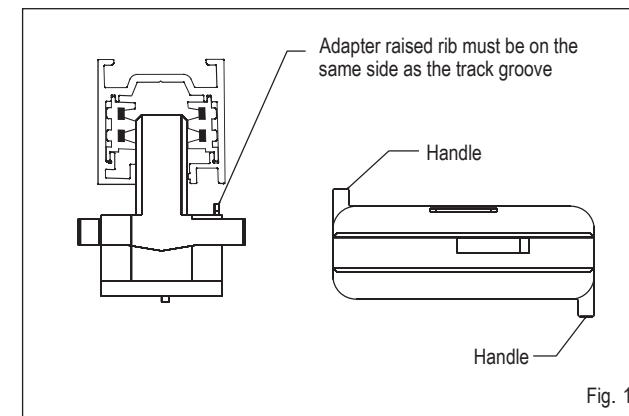
Please confirm the following important matters before starting each work, in order to ensure safe construction!

If there is any problems with the product, please turn off the power supply and please consult our agent or ask qualified electrician.

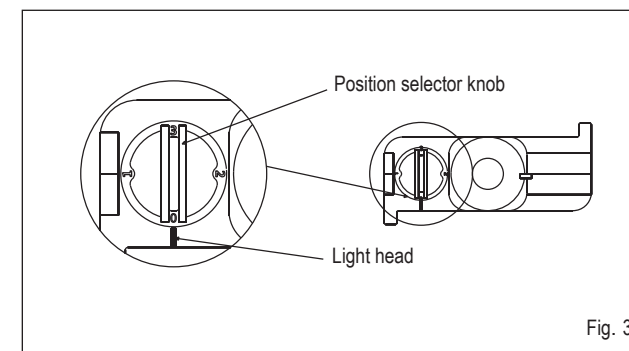
| | | |
|--|---|--|
| <p>Warning: Wrong using may cause accidents.</p> <p>Caution: Incorrect using may cause damage.</p> | | |
| <p>Before Installation</p> | <p>Warning</p> <p>Forbidden to use</p> | <p>This product is widely used in indoor application only and it cannot be used under the following environmental conditions. (Risk of Drop, Risk of Electric Shock, Risk of Fire)</p> <ul style="list-style-type: none"> • Where ambient temperature is under -10°C or above 40°C • Where humidity >80%PH • Where air conditioner or air outlet exist • Where ceilings that cannot bear the weight of fixture • Where inclined and uneven ceiling exist • Where fixture is exposed to direct sunlight • Where dust and corrosive gas exist • Where vibration and shock exist • Where building insulation may be present in normal use <p>• Outdoor Application</p> <p>Please contact Customers Service Team, once use environment cannot be confirmed to be applicable or not.</p> |
| <p>During Installation</p> | <p>Warning</p> <p>To be carried out</p> | <ul style="list-style-type: none"> • The fixture should be installed by a electrician with relevant qualification certificate. (Risk of Safety Accident) • Do not exceed the a ccess voltage: 220-240V, frequency 50/60Hz. • The lighting circuit should be wired separately, compared with other power lines, such as air conditioners or high-power electric equipments. • Please make sure the power is switched off before installation or maintenance. And it's switched on only after correct wiring. (Risk of Electric Shock). • Don't disassemble or retrofit the fixture. (Risk of Electric Shock, Risk of Fire, Risk of Drop, Risk of Failure). • Don't touch the fixture when it is working or in a high temperature condition, when fixture just went out (Risk of Burning). • Maintain at least 100mm of clearance around the product. (Risk of fire) • Don't operate by wet hands(Risk of Electric Shock). |
| | <p>Caution</p> <p>To be carried out</p> | <ul style="list-style-type: none"> • The actual power is between 90%~110% from the rated power. (The load current carrying capacity of the wire should be considered in construction wiring). • The force bearing point of installation in the ceiling board must be 4 times higher than the fixture weight. (Risk of Drop or Damage) • The fire regulations must be observed, when fixture is working. (Risk of Fire) • Non-user replaceable light source: Light source of the fixture can only be replaced by manufacturer or specialized persons. • Please cut off the power supply immediately, if smoke or odor occur, then contact the electrical contractor. (Risk of Fire) • For dimming models, use the manufacturer's dimmer or a reinforced-insulated dimmer that outputs an SELV control signal |

Luminaire Installation

1. This product is designed for Mayalit track or other compatible track.
Track parameters: input voltage AC 220-240 V; maximum load current 16 A.
2. Confirm the installation plan. Ensure adequate minimum space and avoid joists, water pipes and other building services.
3. Before installation, set the handle to the position shown, then push the adapter into the track slot as shown in Fig. 1.
4. Rotate the handle clockwise to the locked position (Fig. 2).



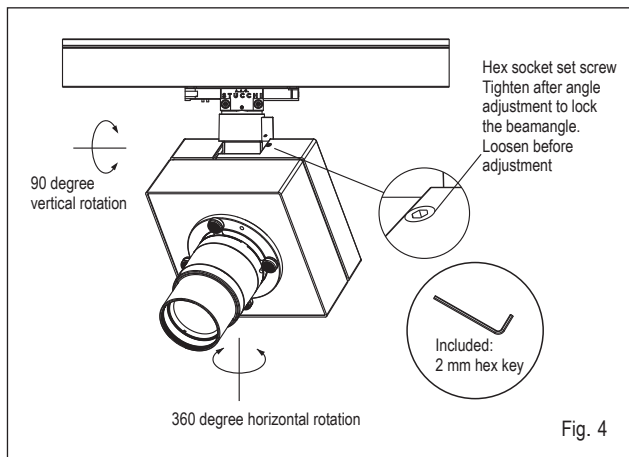
5. Adjust the position selector knob. When the indicator arrow aligns with a position number, that position is connected (Fig. 3).



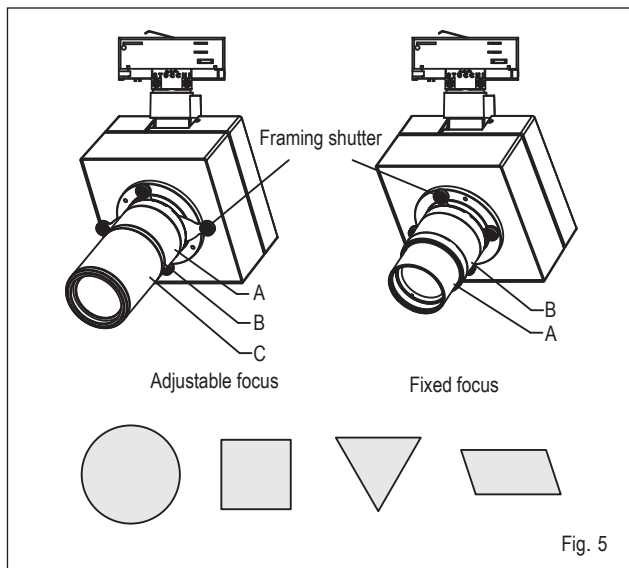
HUIZHOU CDN INDUSTRIAL DEVELOPMENT CO.,LTD.

No.A17,Xianghe West Rd., Dongjiang Ind.Zone,Shuikou, Huizhou, Guangdong, China
<http://www.mayalit-intl.com>

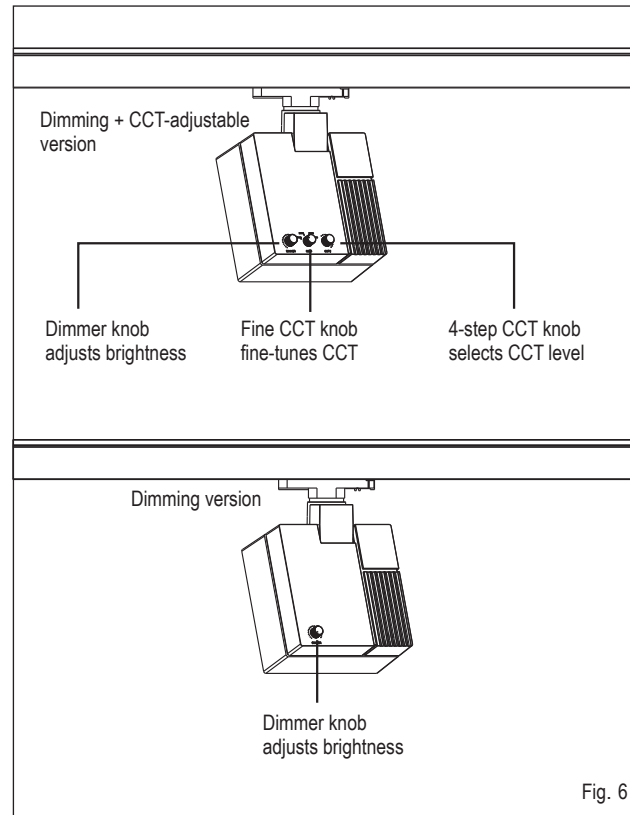
6. After installation, the luminaire can rotate 360 degrees horizontally and 90 degrees vertically. After the vertical angle is set, tighten the hex socket set screw to better fix the beam angle and prevent the lamp body from sagging.
Note: Before adjusting the lamp body angle, loosen this screw with a hex key, then adjust(Fig. 4).



7. Rotate part A to bring the light spot or pattern into clear focus. Rotate part C to change the size of the spot or pattern. After size adjustment, clarity will decrease; rotate part A again to improve sharpness. Rotate part B to change the direction of the spot or pattern (Fig.5).
 8. Adjust the four framing shutters to change the beam shape, such as circle, square, triangle, etc. Custom pattern plates are also available (Fig. 5)



9. For the dimming + CCT-adjustable version:
 ✘ Rotate the dimmer knob (DIMMER) to adjust brightness.
 ✘ Rotate the 4-step CCT knob (CCT1) to select the CCT level.
 ✘ Rotate the fine CCT knob (CCT2) to fine-tune CCT; each click adjusts 10-30 K.
 For the dimming version.
 ✘ Rotate the dimmer knob (DIMMER) to adjust brightness (Fig. 6).



10. Maximum suspended load diagram (Fig. 7).

