

Series Name: Ben / Track Spotlight

Project name:

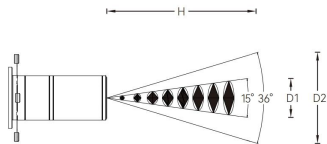
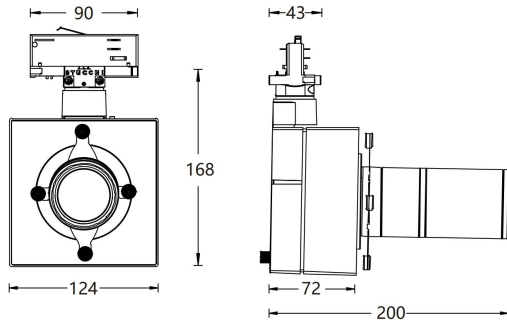
Model No: MBL40124ZT

Location:



Specification

- CCT** : 2700K/3000K/3500K/4000K
- Beam** : 15°-36°
- CRI** : Ra92/ Ra95/ Ra97
- SDCM** : ≤ 2
- Wattage** : 24W
- Input Voltage** : 220-240V ~ 50/60Hz
- Dimming Option** : Single fixture knob dimming/Wireless Control/0-10V/ DALI
- Finish and Color** : Powder coating; Black (MBK) /White (MWT)
- Installation** : 3-Circuit track
- Material** : Die-cast aluminum alloy
- LED Source** : COB
- Adjustment Range** : Horizontal 0° ~ 360°, Vertical 0° ~ 90°
- Life Span** : >50000h-L90/B10
- IP Rating** : IP20



Min			Max		
H(m)	E(lx)	D1(m)	H(m)	E(lx)	D2(m)
1	5662	0.23	1	1909	0.58
2	1415	0.45	2	478	1.15
3	653	0.68	3	211	1.72
4	354	0.90	4	119	2.29
5	225	1.12	5	77	2.87

