

Series Name: Ben / Track Spotlight

Project name:

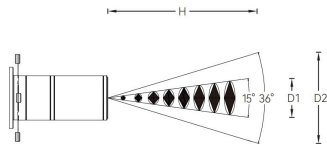
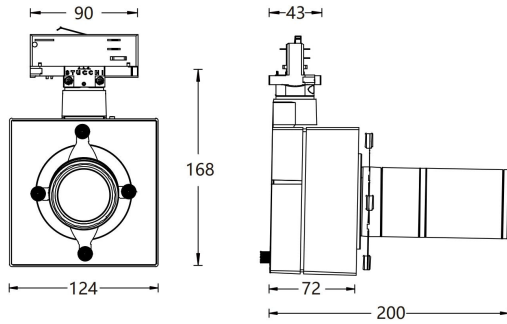
Model No: MBL40124ZT-CT

Location:



Specification

- CCT** : 3000K↔3500K↔4000K↔5000K (Tunable)
- Beam** : 15°-36°
- CRI** : Ra92/ Ra95/ Ra97
- SDCM** : ≤ 2
- Wattage** : 24W
- Input Voltage** : 220-240V ~ 50/60Hz
- Dimming Option** : ① Knob Dimming (Dimming range: 0-100%)
② Dual-knob Color Tuning
- Finish and Color** : Powder coating; Black (MBK) /White (MWT)
- Installation** : 3-Circuit track
- Material** : Die-cast aluminum alloy
- LED Source** : COB
- Adjustment Range** : Horizontal 0° ~ 360°, Vertical 0° ~ 90°
- Life Span** : >50000h-L90/B10



Min			Max		
H(m)	E(lx)	D1(m)	H(m)	E(lx)	D2(m)
1	5662	0.23	1	1909	0.58
2	1415	0.45	2	478	1.15
3	653	0.68	3	211	1.72
4	354	0.90	4	119	2.29
5	225	1.12	5	77	2.87

