

Series Name: Ben / Track Spotlight

Project name:

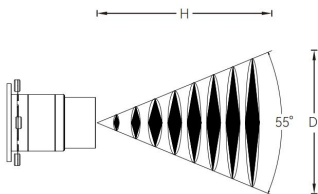
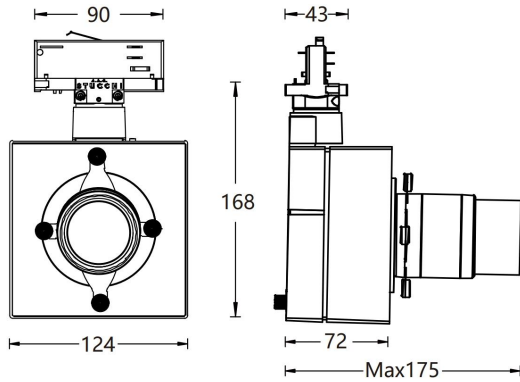
Model No: MBL40124Z-CT

Location:



Specification

- CCT** : 3000K↔3500K↔4000K↔5000K (Tunable)
- Beam** : 55°
- CRI** : Ra92/ Ra95/ Ra97
- SDCM** : ≤ 2
- Wattage** : 24W
- Input Voltage** : 220-240V ~ 50/60Hz
- Dimming Option** : ① Knob Dimming (Dimming range: 0-100%)
② Dual-knob Color Tuning
- Finish and Color** : Powder coating; Black (MBK) /White (MWT)
- Installation** : 3-Circuit track
- Material** : Die-cast aluminum alloy
- LED Source** : COB
- Adjustment Range** : Horizontal 0° ~ 360°, Vertical 0° ~ 90°
- Life Span** : >50000h-L90/B10



Min		
H(m)	E(lx)	D1(m)
1	1027	0.95
2	256	1.92
3	114	2.83
4	64	3.79
5	41	4.73

