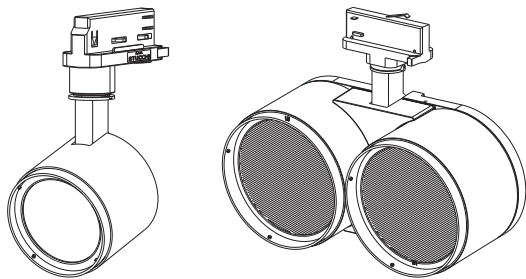


## INSTALLATION INSTRUCTIONS

Ajaw Series  
LED Track Spotlight



### To customers:

- Thank you for choosing our products !
- Please read this instruction carefully before using the product.
- This manual should be retained for the future reference.

Please confirm the following important matters before starting each work, in order to ensure safe construction!

If there is any problems with the product, please turn off the power supply and please consult our agent or ask qualified electrician.

<p>⚠ <b>Warning: Wrong using may cause accidents.</b></p> <p>⚠ <b>Caution: Incorrect using may cause damage.</b></p>		
Before Installation	<p>⚠ <b>Warning</b></p> <p><b>Forbidden to use</b></p>	<p>This product is widely used in indoor application only and it cannot be used under the following environmental conditions. (Risk of Drop, Risk of Electric Shock, Risk of Fire)</p> <ul style="list-style-type: none"> <li>• Where ambient temperature is under -10°C or above 40°C</li> <li>• Where humidity &gt;80%PH</li> <li>• Where air conditioner or air outlet exist</li> <li>• Where ceilings that cannot bear the weight of fixture</li> <li>• Where inclined and uneven ceiling exist</li> <li>• Where fixture is exposed to direct sunlight</li> <li>• Where dust and corrosive gas exist</li> <li>• Where vibration and shock exist</li> <li>• Where building insulation may be present in normal use</li> </ul> <p>• Outdoor Application</p> <p>Please contact Customers Service Team, once use environment cannot be confirmed to be applicable or not.</p>
During Installation	<p>⚠ <b>Warning</b></p> <p><b>To be carried out</b></p>	<ul style="list-style-type: none"> <li>• The fixture should be installed by a electrician with relevant qualification certificate. (Risk of Safety Accident)</li> <li>• Do not exceed the a ccess voltage: 220-240V, frequency 50/60Hz.</li> <li>• The lighting circuit should be wired separately, compared with other power lines, such as air conditioners or high-power electric equipments.</li> <li>• Please make sure the power is switched off before installation or maintenance. And it's switched on only after correct wiring. (Risk of Electric Shock).</li> <li>• Don't disassemble or retrofit the fixture. (Risk of Electric Shock, Risk of Fire, Risk of Drop, Risk of Failure).</li> <li>• Don't touch the fixture when it is working or in a high temperature condition, when fixture just went out (Risk of Burning).</li> <li>• Maintain at least 100mm of clearance around the product. (Risk of fire)</li> <li>• Don't operate by wet hands(Risk of Electric Shock).</li> </ul>
	<p>⚠ <b>Caution</b></p> <p><b>To be carried out</b></p>	<ul style="list-style-type: none"> <li>• The actual power is between 90%~110% from the rated power. (The load current carrying capacity of the wire should be considered in construction wiring ).</li> <li>• The force bearing point of installation in the ceiling board must be 4 times higher than the fixture weight. (Risk of Drop or Damage)</li> <li>• The fire regulations must be observed, when fixture is working. (Risk of Fire)</li> <li>• Non-user replaceable light source: Light source of the fixture can only be replaced by manufacturer or specialized persons.</li> <li>• Please cut off the power supply immediately, if smoke or odor occur, then contact the electrical contractor. (Risk of Fire)</li> <li>• For dimming models, use the manufacturer's dimmer or a reinforced-insulated dimmer that outputs an SELV control signal</li> </ul>

### Luminaire Installation

1. This product is designed for Mayalit track (Fig. 1) or other compatible track.  
Track parameters:input voltage AC 220-240 V; maximum load current 16 A.
2. Confirm the installation plan. Ensure adequate space and avoid joists, water pipes and other building services.
3. The optical module is controlled separately and must be installed by the user.
4. Before installation, set the handle to the position shown (Fig. 2).
5. Align the adapter raised rib with the corresponding groove in the track, then push the adapter into the track slot (Fig. 3).

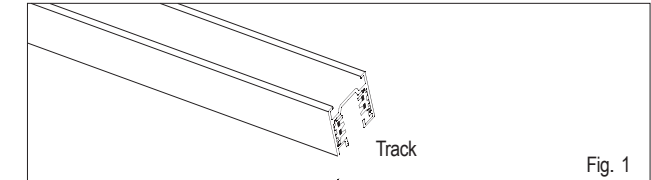


Fig. 1

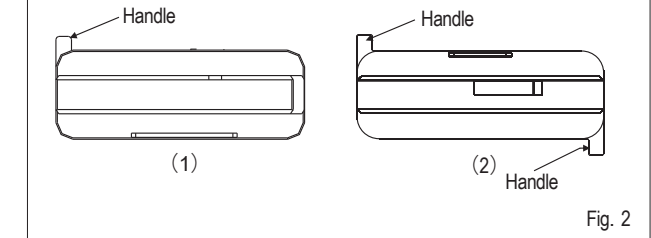


Fig. 2

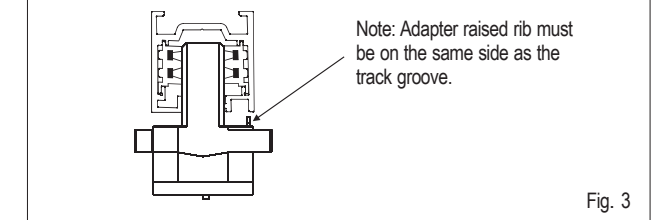


Fig. 3

6. Rotate the handle clockwise to the locked position (Fig. 4).
7. Adjust the position selector knob. When the indicator arrow points to a number and that position is locked, that position is connected (Fig. 5).
8. After installation, the lamp body can rotate horizontally and vertically. Rotate the knob to dim or adjust CCT (Fig. 6).

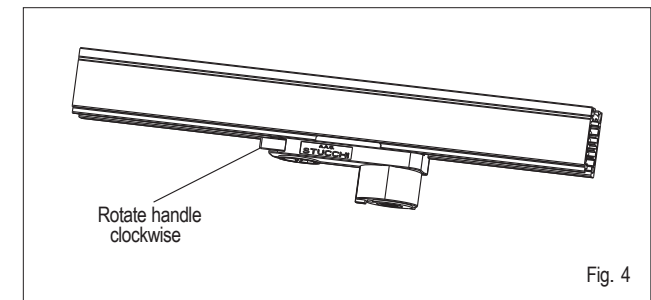
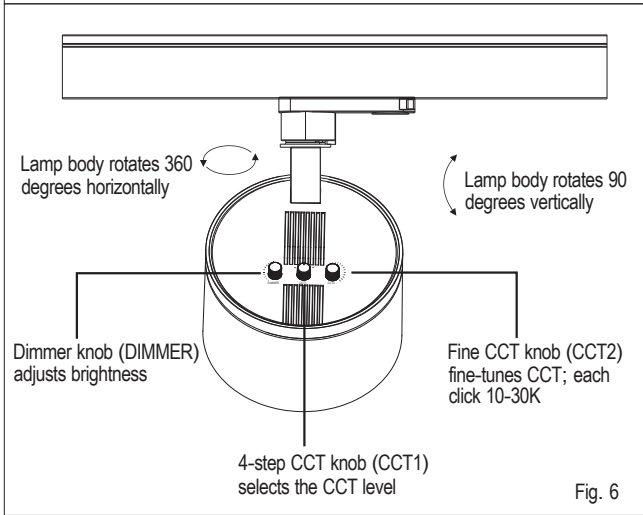
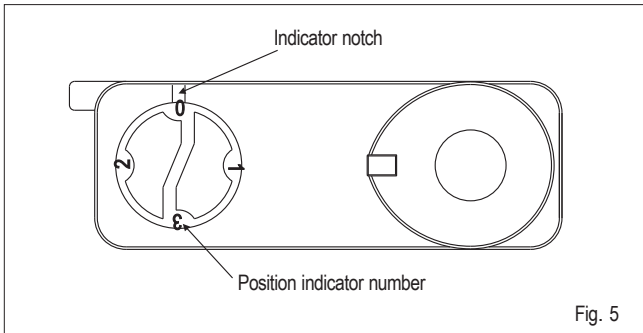


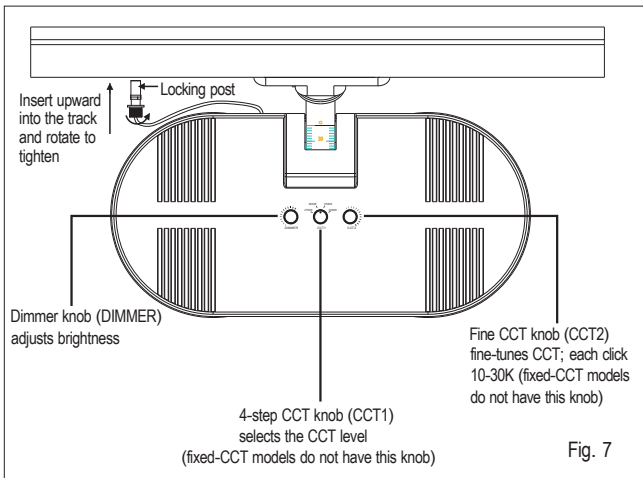
Fig. 4

**HUIZHOU CDN INDUSTRIAL DEVELOPMENT CO.,LTD.**

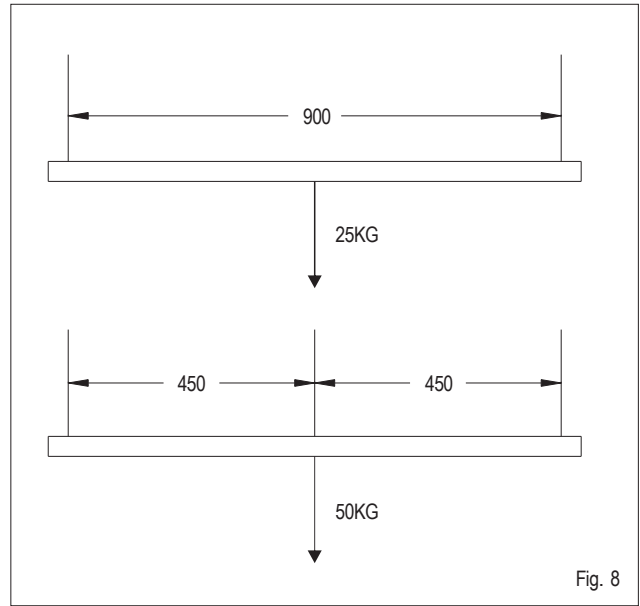
No.A17,Xianghe West Rd., Dongjiang Ind.Zone,Shuikou, Huizhou, Guangdong, China  
<http://www.mayalit-intl.com>



9. The installation steps for the dual-head and single-head versions are similar. For the dual-head version, install the locking post into the track first, then rotate and tighten the knob in the next step so the safety rope assembly and track are fully locked (Fig. 7).

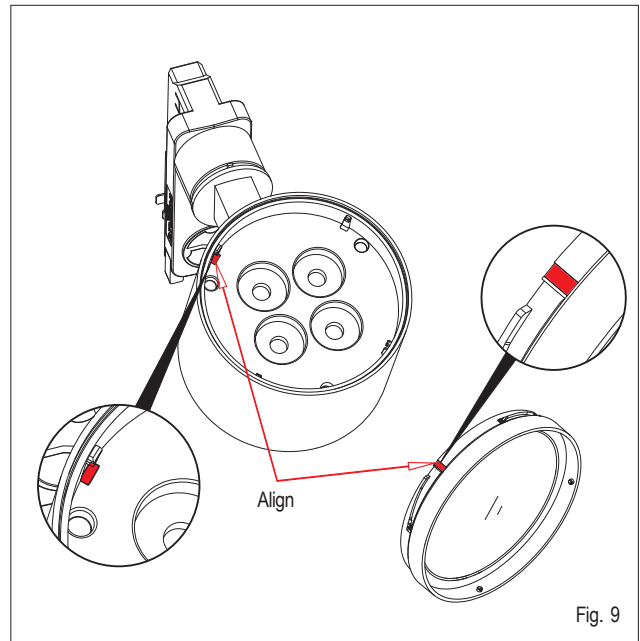


10. Maximum suspended load diagram (Fig. 8).

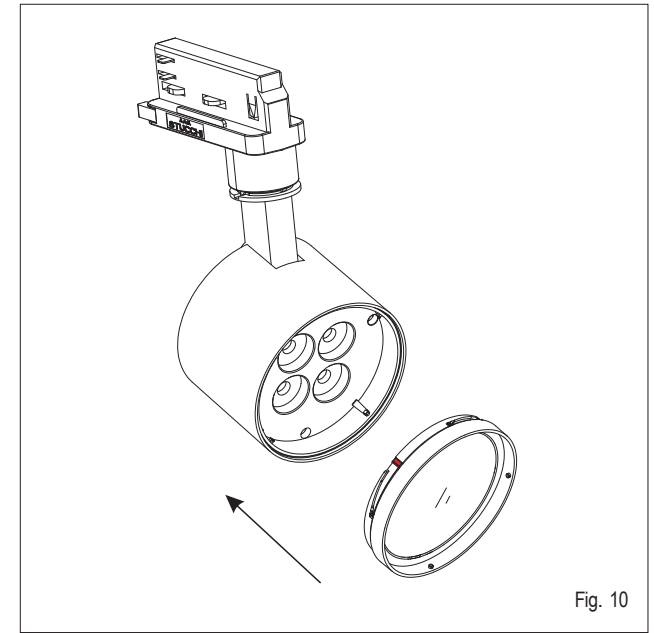


**Optical Accessory Installation**

1. Align the red silicone strip on the optical module with the red silicone block on the lamp head (Fig. 9).



2. After alignment, install the optical module into the lamp head.



3. Rotate the optical module clockwise until it fits closely with the lamp and a light "click" sound is heard, indicating installation is complete.

