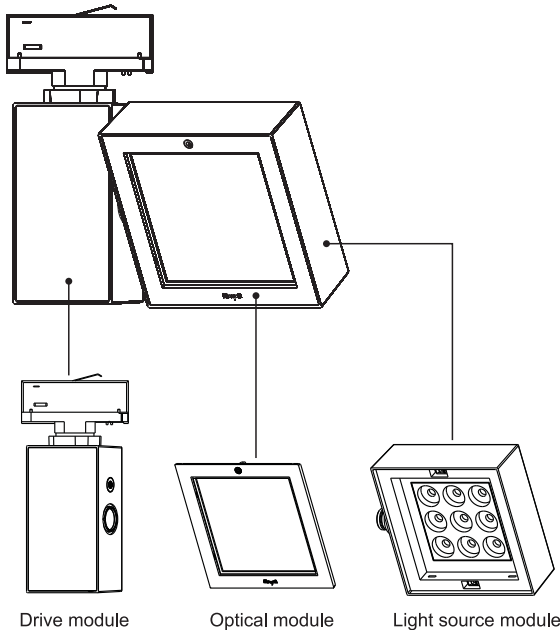


INSTALLATION INSTRUCTIONS

Pax Track Spotlight



To customers:

- Thank you for choosing our products !
- Please read this instruction carefully before using the product.
- This manual should be retained for the future reference.

<p>Please confirm the following important matters before starting each work, in order to ensure safe construction!</p> <p>If there is any problems with the product, please turn off the power supply and please consult our agent or ask qualified electrician.</p>			
<p>Warning: Wrong using may cause accidents.</p> <p>Caution: Incorrect using may cause damage.</p>			
Before Installation	Warning	Forbidden to use	<p>This product is widely used in indoor application only and it cannot be used under the following environmental conditions. (Risk of Drop, Risk of Electric Shock, Risk of Fire)</p> <ul style="list-style-type: none"> • Where ambient temperature is under -10°C or above 45°C • Where humidity >80%PH • Where air conditioner or air outlet exist • Where ceilings that cannot bear the weight of fixture • Where inclined and uneven ceiling exist • Where fixture is exposed to direct sunlight • Where dust and corrosive gas exist • Where vibration and shock exist • Outdoor Application • Where building insulation may be present in normal use <p>Please contact Customers Service Team, once use environment cannot be confirmed to be applicable or not.</p>
During Installation	Warning	To be carried out	<ul style="list-style-type: none"> • The fixture should be installed by a electrician with relevant qualification certificate. (Risk of Safety Accident) • Do not exceed the a ccess voltage: 220-240V, frequency 50/60Hz. • The lighting circuit should be wired separately, compared with other power lines, such as air conditioners or high-power electric equipments. • Please make sure the power is switched off before installation or maintenance. And it's switched on only after correct wiring. (Risk of Electric Shock). • Don't disassemble or retrofit the fixture. (Risk of Electric Shock, Risk of Fire, Risk of Drop, Risk of Failure). • Don't touch the fixture when it is working or in a high temperature condition, when fixture just went out (Risk of Burning). • Don't operate by wet hands(Risk of Electric Shock).
	Caution	To be carried out	<ul style="list-style-type: none"> • The actual power is between 90%~110% from the rated power, (The load current carrying capacity of the wire should be considered in construction wiring). • The force bearing point of installation in the ceiling board must be 4 times higher than the fixture weight. (Risk of Drop or Damage) • The fire regulations must be observed, when fixture is working, (Risk of Fire) • Non-user replaceable light source: Light source of the fixture can only be replaced by manufacturer or specialized persons. • Please cut off the power supply immediately, if smoke or odor occur, then contact the electrical contractor. (Risk of Fire)

HUIZHOU CDN INDUSTRIAL DEVELOPMENT CO.,LTD.

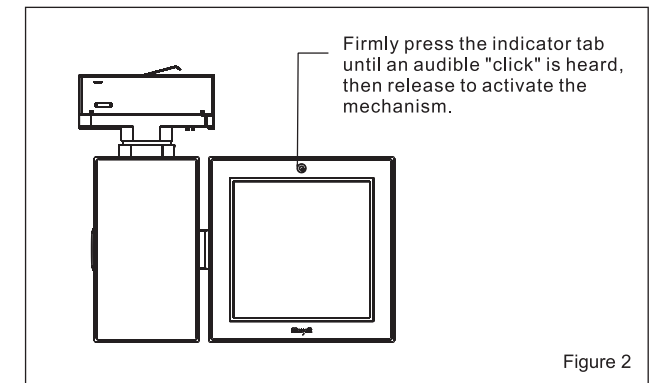
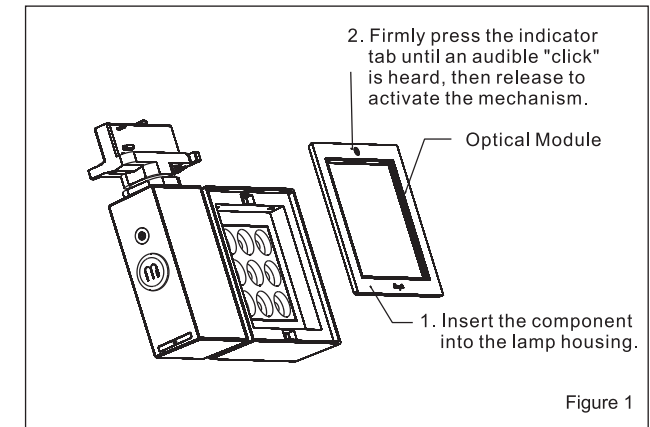
No.A17,Xianghe West Rd., Dongjiang Ind.Zone,Shuikou, Huizhou, Guangdong, China
<http://www.mayalit.com>

Product Specification

Category	Light source model	Input Voltage	Rated Power
MPL4-45W Adaptive Light Source	MPL40413	DC40V	13W(4×2.2W LED Module)
	MPL40515		15W(5×2.2W LED Module)
	MPL40923		23W(9×2.2W LED Module)
MPL4-95W Adaptive Light Source	MPL40924	DC58V	24W(9×2.2W LED Module)
	MPL41230		30W(12×2.2W LED Module)
	MPL41640		40W(16×2.2W LED Module)
	MPL41648		48W(16×2.6W LED Module)

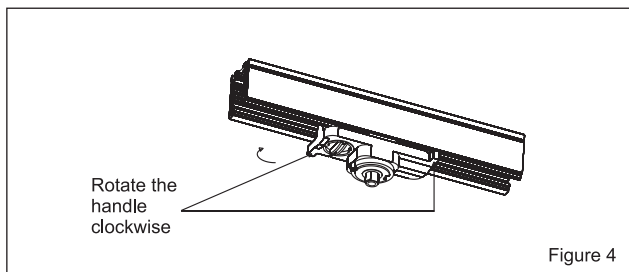
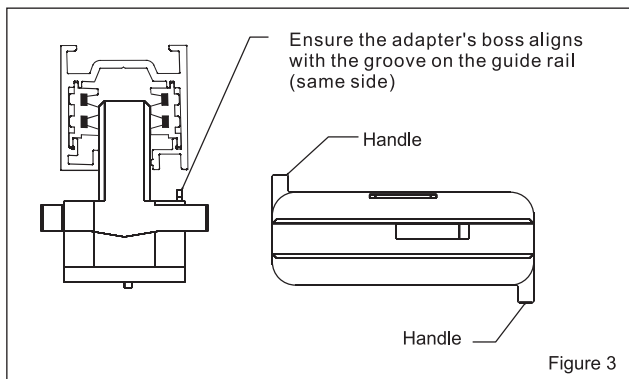
Installation instructions:

1. This product is compatible with Mayalit brand track (Fig.1) or other compatible rails from third-party manufacturers. track parameters: input voltage: AC 220-240V; Max current: 16A.
2. Confirm the installation plan, ensuring sufficient space and no interference with building structures.
3. Before installation , adjust the handle to the position shown in Fig.2 prior to installation.
4. Align the protruding ribs on the side of the connector with the corresponding grooves on the track.Push the connector into the track slot (Fig.3).



5. Before installation, adjust the handle to the position shown in the diagram. Then insert the adapter into the guide rail slot according to the illustrated position, as shown in Figure 3.

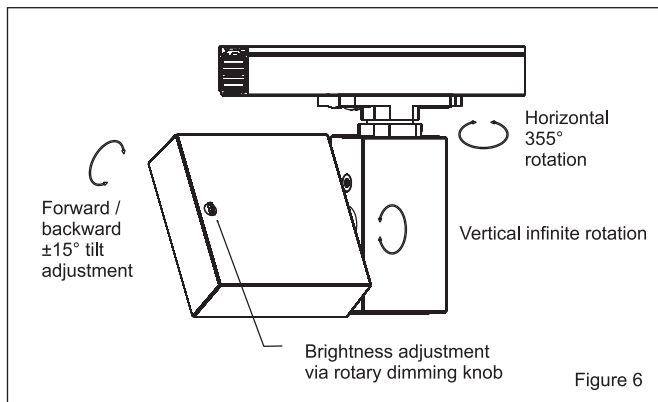
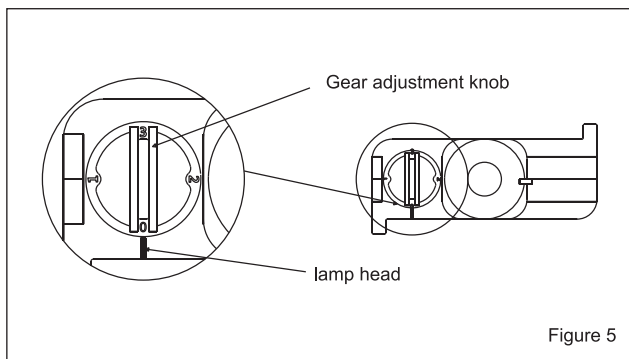
6. Rotate the handle clockwise to the locked position (Figure 4).



7. Adjust the gear adjustment knob until the indicator arrow aligns with the desired gear number to activate that specific gear level (Figure 5).

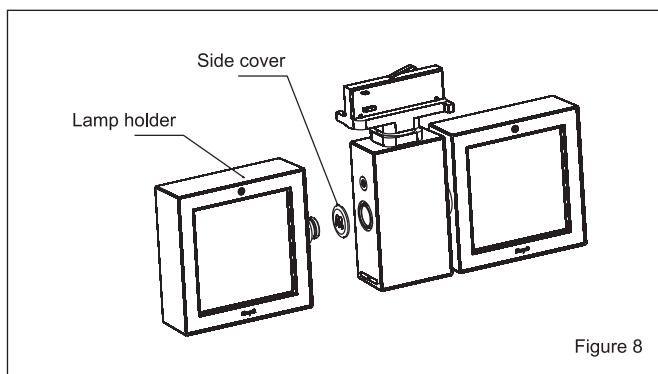
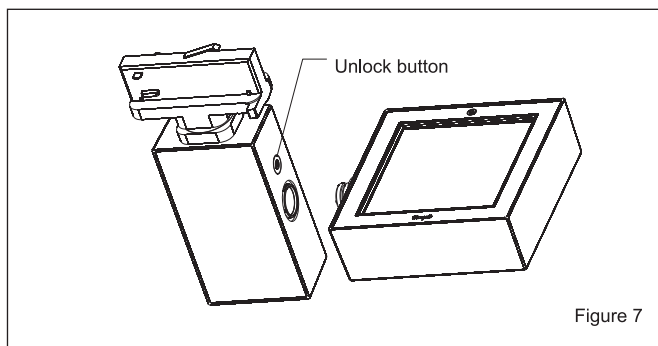
8. After installation, the fixture body can: rotate horizontally up to 355°; Swivel vertically 360° without limitation; Tilt the lamp head forward/backward by 15° (Figure 6).

9. Rotate the dimming knob to adjust the brightness level as needed (where applicable) (Figure 6).



10. Lamp Head Replacement: Press the unlock button to remove the old lamp head. To install, align and insert the new lamp head into the socket until a "click" is heard, indicating proper installation (Fig. 7).

11. Lamp Head Expansion: Remove the side cover of the fixture and insert the additional lamp head into the designated port until a "click" confirms locking. To add light sources, compatible bulbs and beam angle control optical accessories must be purchased separately (Fig. 8).



12. Load capacity chart (Figure 9).

