

Series Name: Ajaw / Track Framing Projector

Project name:

Model No: MAL40120ZT-CT

Location:



Specification

CCT : 3000K↔3500K↔4000K↔5000K (Tunable)

Beam : 15°-36°

CRI : Ra92/ Ra95/ Ra97

SDCM : ≤ 2

Wattage : 20W

Input Voltage : 220-240V ~ 50/60Hz

Dimming Option : ① Knob Dimming (Dimming range: 0-100%)
② Dual-knob Color Tuning

Finish and Color : Black(MBK) /White (MWT)

Installation : 3-Circuit track

Material : Die-cast aluminum alloy

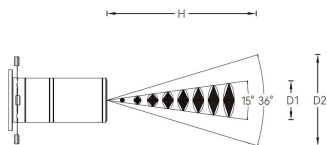
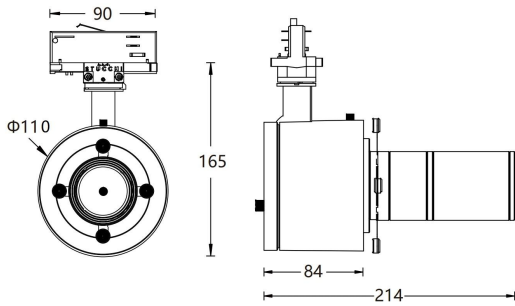
LED Source : COB

Finish and Color : Powder coating

Adjustment Range : Horizontal 0° ~ 360°, Vertical 0° ~ 90°

: >50000h-L90/B10

: IP20



Min		
H(m)	E(lx)	D1(m)
1	4798	0.23
2	1199	0.45
3	553	0.68
4	300	0.90
5	191	1.12

Max		
H(m)	E(lx)	D2(m)
1	1618	0.58
2	405	1.15
3	179	1.72
4	101	2.29
5	65	2.87

