

Series Name: Ben / Track Spotlight

Project name:

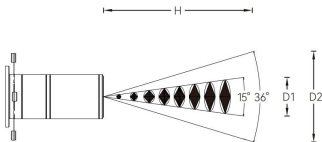
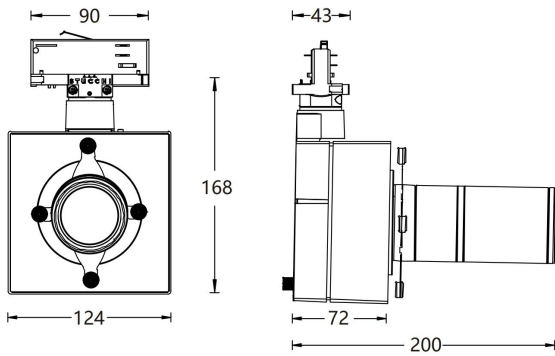
Model No: MBL40130ZT

Location:



Specification

- CCT** : 2700K/3000K/3500K/4000K
- Beam** : 15°-36°
- CRI** : Ra92/ Ra95/ Ra97
- SDCM** : ≤2
- Wattage** : 30W
- Input Voltage** : 220-240V ~ 50/60Hz
- Dimming Option** : Single fixture knob dimming/Wireless Control/0-10V/ DALI
- Finish and Color** : Powder coating; Black (MBK) /White (MWT)
- Installation** : 3-Circuit track
- Material** : Die-cast aluminum alloy
- LED Source** : COB
- Adjustment Range** : Horizontal 0° ~ 360°, Vertical 0° ~ 90°
- Life Span** : >50000h-L90/B10
- IP Rating** : IP20



Min		
H(m)	E(lx)	D1(m)
1	7450	0.23
2	1863	0.45
3	828	0.68
4	466	0.90
5	298	1.12

Max		
H(m)	E(lx)	D2(m)
1	2232	0.63
2	558	1.26
3	248	1.89
4	139	2.51
5	89	3.15

