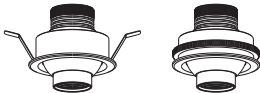


# Mayalit

## INSTALLATION INSTRUCTIONS

### Cimi Showcase Spotlight



### To customers:

- Thank you for choosing our products !
  - Please read this instruction carefully before using the product.
- This manual should be retained for the future reference.

**Please confirm the following important matters before starting each work, in order to ensure safe construction!**

**If there is any problems with the product, please turn off the power supply and please consult our agent or ask qualified electrician.**

- ⚠ Warning: Wrong using may cause accidents.**
- ⚠ Caution: Incorrect using may cause damage.**

Before Installation	<b>⚠ Warning</b>	Forbidden to use	<p>This product is widely used in indoor application only and it cannot be used under the following environmental conditions. (Risk of Drop, Risk of Electric Shock, Risk of Fire)</p> <ul style="list-style-type: none"> <li>● Where ambient temperature is under -10°C or above 40°C</li> <li>● Where air conditioner or air outlet exist</li> <li>● Where ceilings that cannot bear the weight of fixture</li> <li>● Where inclined and uneven ceiling exist</li> <li>● Where fixture is exposed to direct sunlight</li> <li>● Where dust and corrosive gas exist</li> <li>● Where vibration and shock exist</li> <li>● Outdoor Application ● Wet place where humidity is of <math>\geq 80\%</math> PH</li> <li>● Where building insulation may be present in normal use</li> </ul> <p>Please contact Customers Service Team, once use environment cannot be confirmed to be applicable or not.</p>
During Installation	<b>⚠ Warning</b>	To be carried out	<ul style="list-style-type: none"> <li>● The fixture should be installed by a electrician with relevant qualification certificate. (Risk of Safety Accident)</li> <li>● The daylight needs an external LED power driver, and the power of the LED power driver should match the light source (recommended Use the company's corresponding LED power driver, otherwise it will affect the normal Use of the lamp).</li> <li>● The lighting circuit should be wired separately, compared with other power lines such as air conditioners or high-power electric equipments.</li> <li>● Please make sure the power is switched off before installation or maintenance. And its switched on only after correct wiring. (Risk of Electric Shock) ● Be sure that The minimum distance from side of the luminaire to surroundings must be more than 100mm.</li> <li>● Don't disassemble or retrofit the fixture. (Risk of Electric Shock, Risk of Fire, Risk of Drop, Risk of Failure).</li> <li>● Don't touch the fixture when it is working or in a high temperature condition when fixture just went out. (Risk of Burning).</li> <li>● Don't operate by wet hands. (Risk of Electric Shock).</li> <li>● ⚠ The fixture can't be covered by any heat insulation pads or similar materials. Be sure that The minimum distance from side of the luminaire to surroundings must be more than 100mm.</li> <li>● Type 2 attachment method of attachment such that the flexible cable or cord cannot be replaced without destroying the integrity of the accessory.</li> </ul>
	<b>⚠ Caution</b>	To be carried out	<ul style="list-style-type: none"> <li>● The actual power is between 90%~110% from the rated power. (The load current carrying capacity of the wire should be considered in construction wiring.)</li> <li>● The force bearing point of installation in the ceiling board must be 4 times higher than the fixture weight. (Risk of Drop or Damage)</li> <li>● The fire regulations must be observed, when fixture is working. (Risk of Fire)</li> <li>● Non replaceable light source: Light source of this fixture is not replaceable. When the light source reaches its end, the entire fixture should be replaced.</li> <li>● Please cut off the power supply immediately if smoke or odor occur, then contact the electrical contractor. (Risk of Fire)</li> </ul>

Places of use: hotels, villas, clubs, commercial complexes, shops, offices, office buildings and other indoor places.

### HUIZHOU CDN INDUSTRIAL DEVELOPMENT CO., LTD.

No. A17, Xianghe West Rd., Dongjiang Ind. Zone, Shui kou, Huizhou, Guangdong, China  
<http://www.mayalit.com>

## Lighting Fixture Installation Instructions

1. Fixture Installation Thickness & Cut-out Dimensions.(Figure1)
2. Connect the mains input lines (live/brown wire to L, neutral/blue wire to N) to the input terminals of the driver. Connect the fixture output lines to the driver's output terminals, ensuring secure connections with insulated tape. For threaded installation: Secure the fixture to the mounting plate first, then proceed with wiring to prevent loosening.(Figure2/3)
3. Fixture Angle Adjustment.(Figure 4)

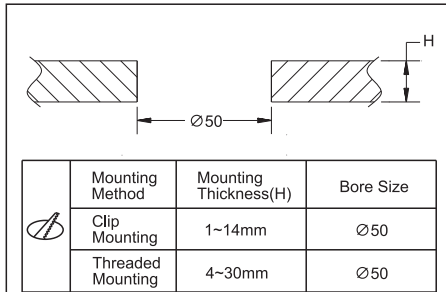


Figure 1

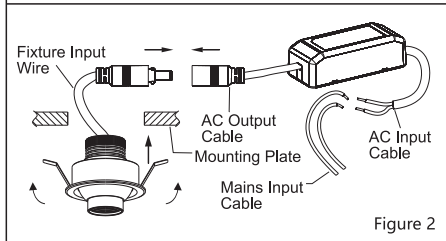


Figure 2

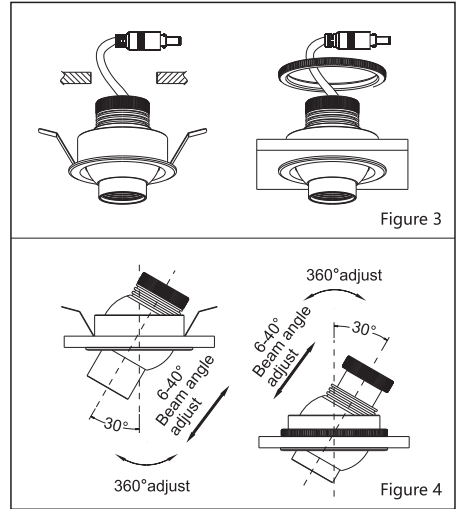


Figure 3

Figure 4