

Series Name: Ajaw / Track Framing Projector

Project name:

Model No: MAL40124ZT-CT

Location:



Specification

CCT : 3000K↔3500K↔4000K↔5000K (Tunable)

Beam : 55°

CRI : Ra92/ Ra95/ Ra97

SDCM : ≤ 2

Wattage : 24W

Input Voltage : 220-240V ~ 50/60Hz

Dimming Option : ① Knob Dimming (Dimming range: 0-100%)
 ② Dual-knob Color Tuning

Finish and Color : Black(MBK) /White (MWT)

Installation : 3-Circuit track

Material : Die-cast aluminum alloy

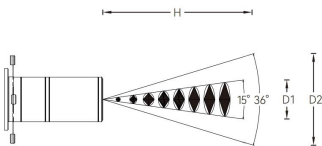
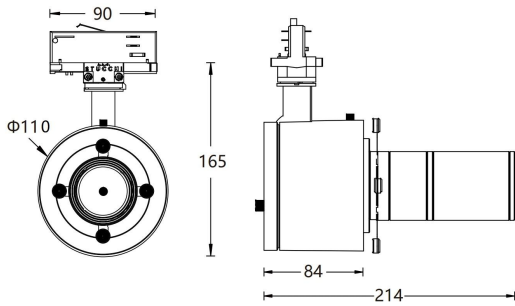
LED Source : COB

Finish and Color : Powder coating

Adjustment Range : Horizontal 0° ~ 360°, Vertical 0° ~ 90°

Life Span : >50000h-L90/B10

IP Rating : IP20



Min				Max			
H(m)	E(lx)	D1(m)		H(m)	E(lx)	D2(m)	
1	5662	0.23		1	1909	0.58	
2	1415	0.45		2	478	1.15	
3	653	0.68		3	211	1.72	
4	354	0.90		4	119	2.29	
5	225	1.12		5	77	2.87	

