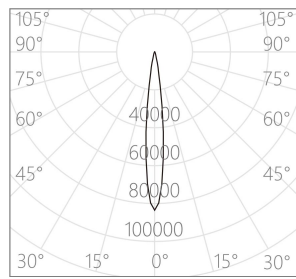
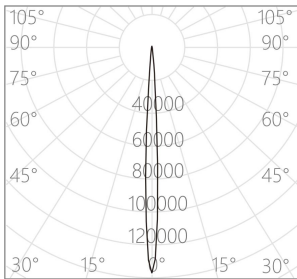
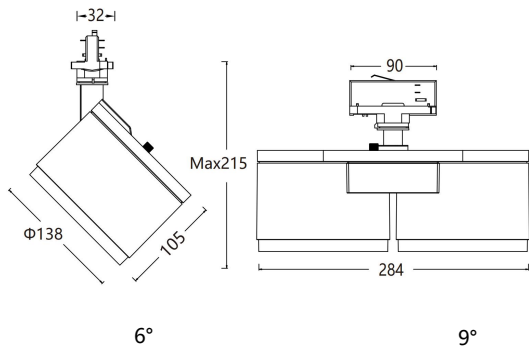


Series Name: Ajaw / Track Spotlight

Project name:

Model No: MAL41448-2

Location:



Specification

- CCT** : 2700K/3000K/3500K/4000K
- Beam** : 6°/9°
- CRI** : Ra92/ Ra95/ Ra97
- SDCM** : ≤ 2
- Wattage** : 48W
- Input Voltage** : 220-240V ~ 50/60Hz
- Dimming Option** : Single lamp knob / Wireless Control / 0-10V / DALI
- Finish and Color** : Black(MBK) /White (MWT)
- Installation** : 3-Circuit track
- Material** : Die-cast aluminum alloy
- LED Source** : SMD
- Finish and Color** : Powder coating
- Adjustment Range** : Horizontal 0° ~ 360°, Vertical 0° ~ 90°
- Life Span** : >50000h-L90/B10
- IP Rating** : IP20

Accessories Available



MA324-6
6°



MA324-9
9°



MA348-HC
Honeycomb



MA348-ST
Glare shield



MA348-BD
Barn door



MA348-RF
Red lens



MA348-GF
Green lens



MA348-BF
Blue lens